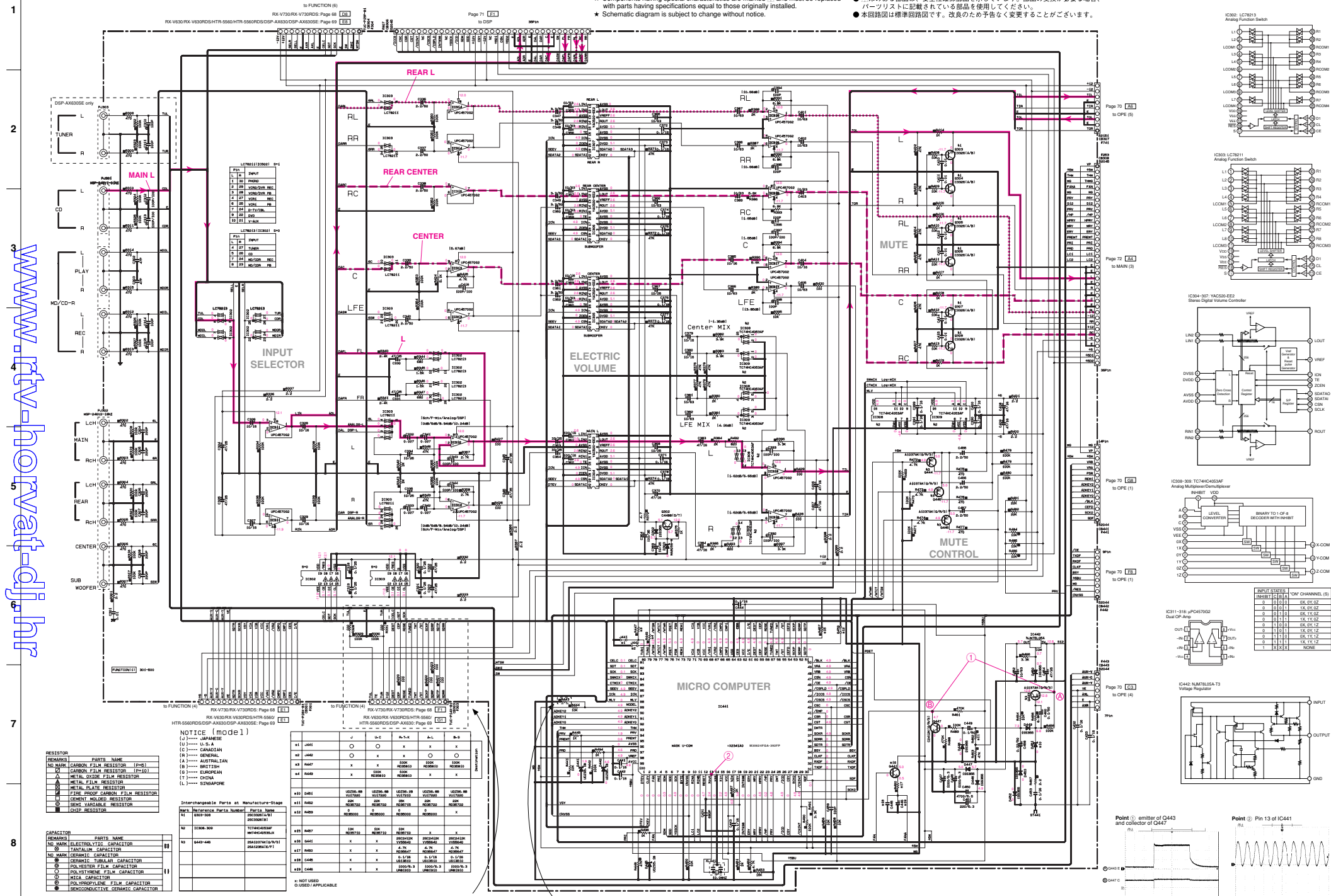


■ SCHEMATIC DIAGRAM (FUNCTION 1/2)

★ All voltages are measured with a 10M Ω DC electric volt meter.
 ★ Components having special characteristics are marked ! and must be replaced with parts having specifications equal to those originally installed.
 ★ Schematic diagram is subject to change without notice.

● 電圧は、内部抵抗10M Ω の電圧計で測定したものです。
 ● !印の部品は、安全性確保部品を示しています。部品の交換が必要なる場合、パーツリストに記載されている部品を使用してください。
 ● 本回路図は標準回路図です。改良のため予告なく変更することがございます。

RX-V730/RX-V730RDS/RX-V630/RX-V630RDS
 HTR-5560/HTR-5560RDS/DSP-AX630/DSP-AX630SE



www.rtv-horvat-dj.hr

RESISTOR

REMARKS	PARTS NAME
NO MARK CARBON FILM RESISTOR (P=0)	
RT CARBON FILM RESISTOR (P=10)	
M METAL OXIDE FILM RESISTOR	
M METAL FILM RESISTOR	
M METAL GLAZE RESISTOR	
F FINE PITCH CARBON FILM RESISTOR	
OH OHM HOLOG. RESISTOR	
V VARIABLE RESISTOR	
W WIREWOUND RESISTOR	

NOTICE (model)

- (*) U.S.A
- (C) CANADIAN
- (R) GENERAL
- (A) AUSTRALIAN
- (B) BRITISH
- (E) EUROPEAN
- (T) CHINA
- (L) SINGAPORE

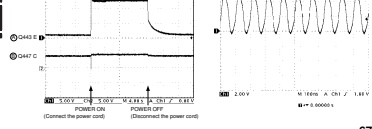
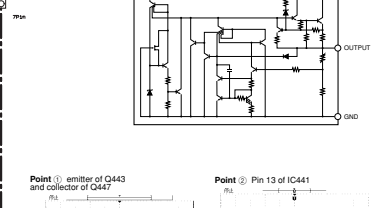
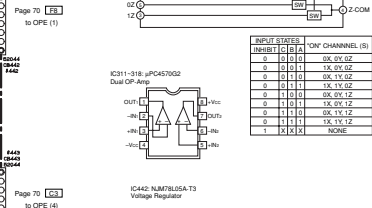
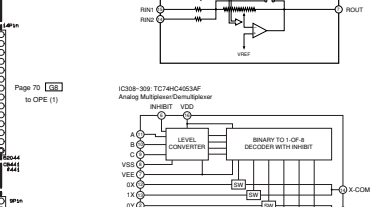
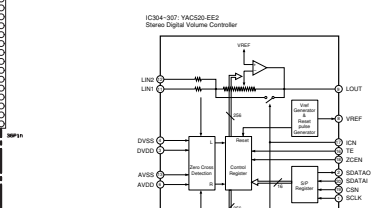
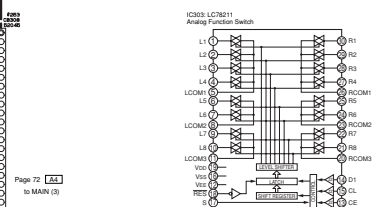
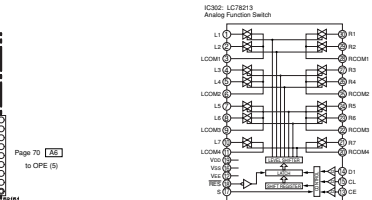
Interchangeable Parts at Manufacture Stage

Part No.	Reference Part Name	Part Name	Part No.
41	100K-50K	100K-50K	41
42	100K-50K	100K-50K	42
43	100K-50K	100K-50K	43
44	100K-50K	100K-50K	44
45	100K-50K	100K-50K	45
46	100K-50K	100K-50K	46
47	100K-50K	100K-50K	47
48	100K-50K	100K-50K	48
49	100K-50K	100K-50K	49
50	100K-50K	100K-50K	50

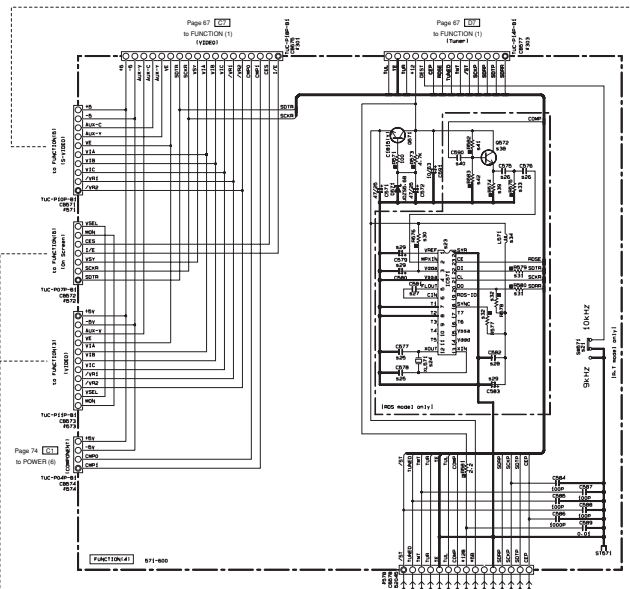
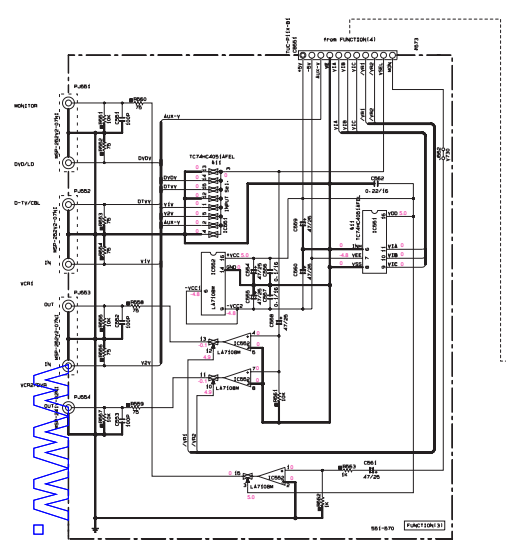
Part No.	Reference Part Name	Part Name	Part No.
41	100K-50K	100K-50K	41
42	100K-50K	100K-50K	42
43	100K-50K	100K-50K	43
44	100K-50K	100K-50K	44
45	100K-50K	100K-50K	45
46	100K-50K	100K-50K	46
47	100K-50K	100K-50K	47
48	100K-50K	100K-50K	48
49	100K-50K	100K-50K	49
50	100K-50K	100K-50K	50

! NOT USED
 O USED / APPLICABLE

except DSP-AX630SE
 RX-V730RDS: not used
 DSP-AX630SE: 33K
 other: 10K



SCHEMATIC DIAGRAM (FUNCTION 2/2) RX-V730/RX-V730RDS



NOTICE (MODEL)
 (J) JAPANESE
 (U) U.S.A.
 (C) CANADIAN
 (R) GENERAL
 (A) AUSTRALIAN
 (B) BRITISH
 (G) EUROPEAN
 (T) CHINA
 (L) SINGAPORE

RESISTOR

RESISTOR	PARTS NAME
NO MARK	CARBON FILM RESISTOR (±5%)
⊖	CARBON FILM RESISTOR (±10%)
△	METAL FILM RESISTOR
□	METAL PLATE RESISTOR
▢	FILM PROOF CARBON FILM RESISTOR
⊕	CEMENT MOUNTED RESISTOR
⊘	SEMI VARIABLE RESISTOR
⊙	CHIP RESISTOR

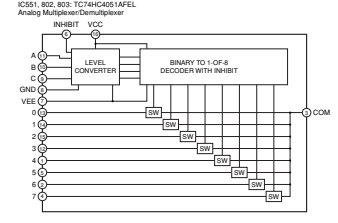
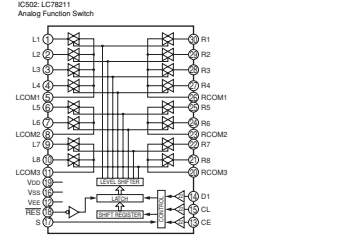
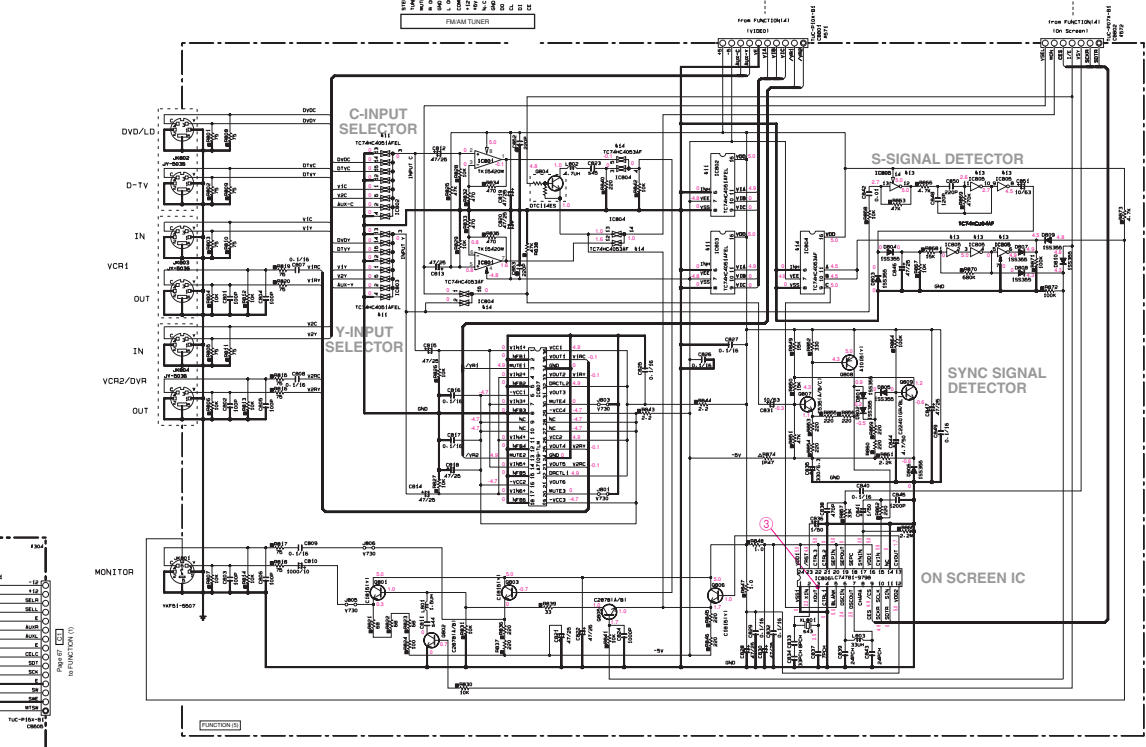
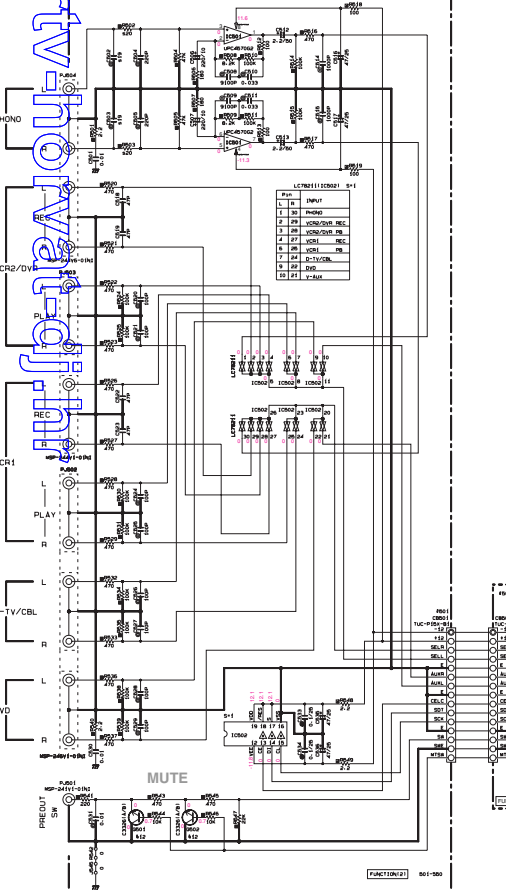
CAPACITOR

CAPACITOR	PARTS NAME
NO MARK	ELECTROLYTIC CAPACITOR
⊖	TANTALUM CAPACITOR
⊕	CERAMIC TUBULAR CAPACITOR
⊙	POLYESTER FILM CAPACITOR
⊘	POLYSTYRENE FILM CAPACITOR
⊕	MICA CAPACITOR
⊙	POLYPROPYLENE FILM CAPACITOR
⊘	SEMICONDUCTIVE CERAMIC CAPACITOR

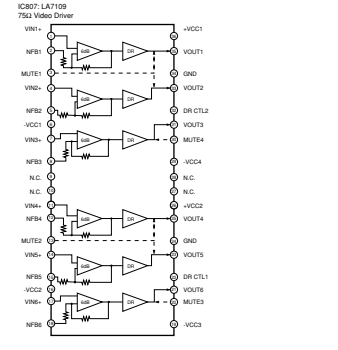
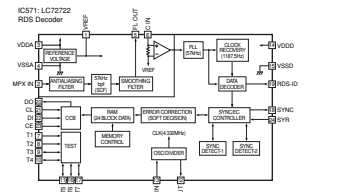
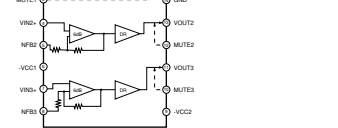
Point ③ Pin 3 of IC806

5.00V 2.50V 0.000000

IC	PARTS NAME	QTY
IC1	7805	1
IC2	7805	1
IC3	7805	1
IC4	7805	1
IC5	7805	1
IC6	7805	1
IC7	7805	1
IC8	7805	1
IC9	7805	1
IC10	7805	1
IC11	7805	1
IC12	7805	1
IC13	7805	1
IC14	7805	1
IC15	7805	1
IC16	7805	1
IC17	7805	1
IC18	7805	1
IC19	7805	1
IC20	7805	1
IC21	7805	1
IC22	7805	1
IC23	7805	1
IC24	7805	1
IC25	7805	1
IC26	7805	1
IC27	7805	1
IC28	7805	1
IC29	7805	1
IC30	7805	1
IC31	7805	1
IC32	7805	1
IC33	7805	1
IC34	7805	1
IC35	7805	1
IC36	7805	1
IC37	7805	1
IC38	7805	1
IC39	7805	1
IC40	7805	1
IC41	7805	1
IC42	7805	1
IC43	7805	1
IC44	7805	1
IC45	7805	1
IC46	7805	1
IC47	7805	1
IC48	7805	1
IC49	7805	1
IC50	7805	1
IC51	7805	1
IC52	7805	1
IC53	7805	1
IC54	7805	1
IC55	7805	1
IC56	7805	1
IC57	7805	1
IC58	7805	1
IC59	7805	1
IC60	7805	1
IC61	7805	1
IC62	7805	1
IC63	7805	1
IC64	7805	1
IC65	7805	1
IC66	7805	1
IC67	7805	1
IC68	7805	1
IC69	7805	1
IC70	7805	1
IC71	7805	1
IC72	7805	1
IC73	7805	1
IC74	7805	1
IC75	7805	1
IC76	7805	1
IC77	7805	1
IC78	7805	1
IC79	7805	1
IC80	7805	1
IC81	7805	1
IC82	7805	1
IC83	7805	1
IC84	7805	1
IC85	7805	1
IC86	7805	1
IC87	7805	1
IC88	7805	1
IC89	7805	1
IC90	7805	1
IC91	7805	1
IC92	7805	1
IC93	7805	1
IC94	7805	1
IC95	7805	1
IC96	7805	1
IC97	7805	1
IC98	7805	1
IC99	7805	1
IC100	7805	1



INPUT STATES	ON CHANNEL
INHIBIT	0
0 0 0 0	0
0 0 1 0	1
0 0 1 1	2
0 1 1 1	3
0 1 0 1	4
0 1 1 0	5
0 1 0 0	6
0 1 1 1	7
1 X X X	NONE



* All voltages are measured with a 10MΩ/V DC electric volt meter.
 * Components having special characteristics are marked ①, and must be replaced with parts having specifications equal to those originally installed.
 * Schematic diagram is subject to change without notice.

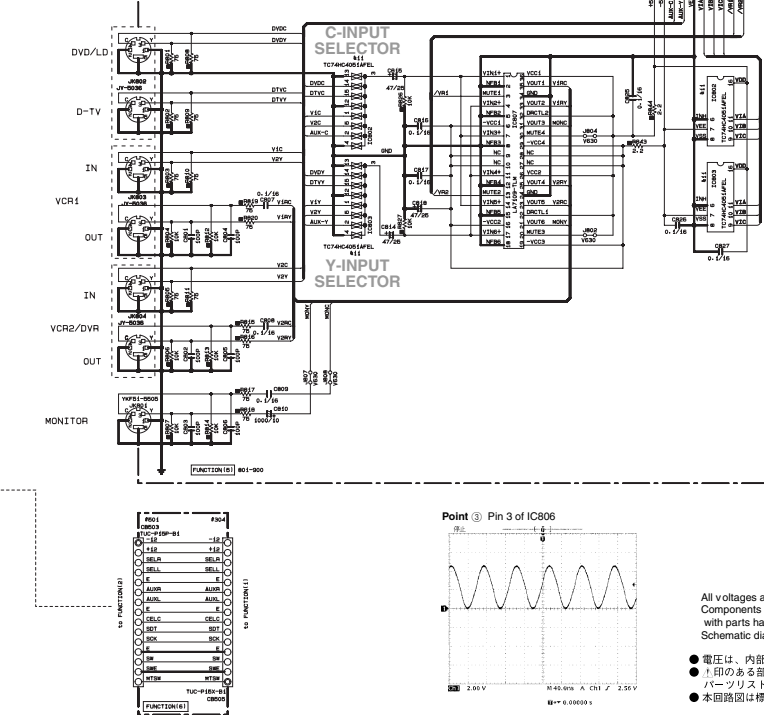
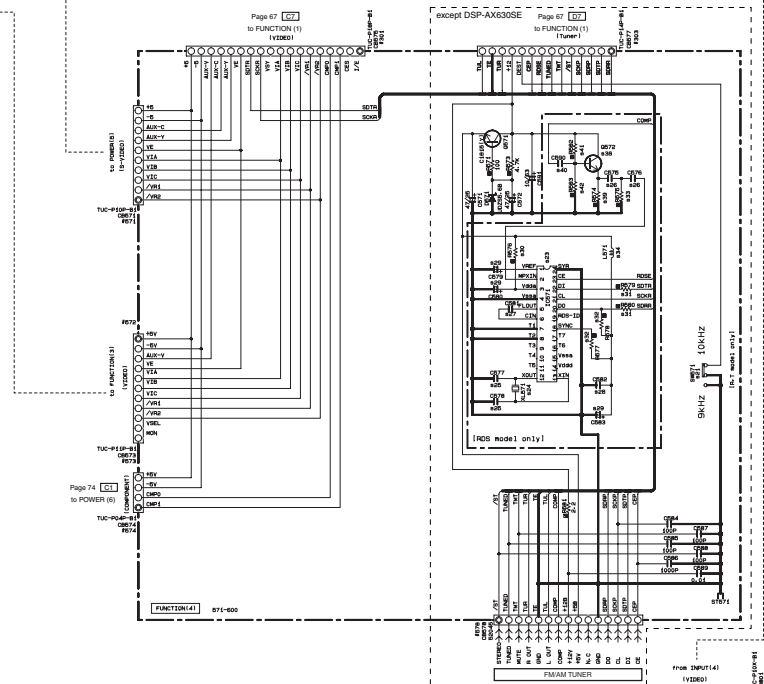
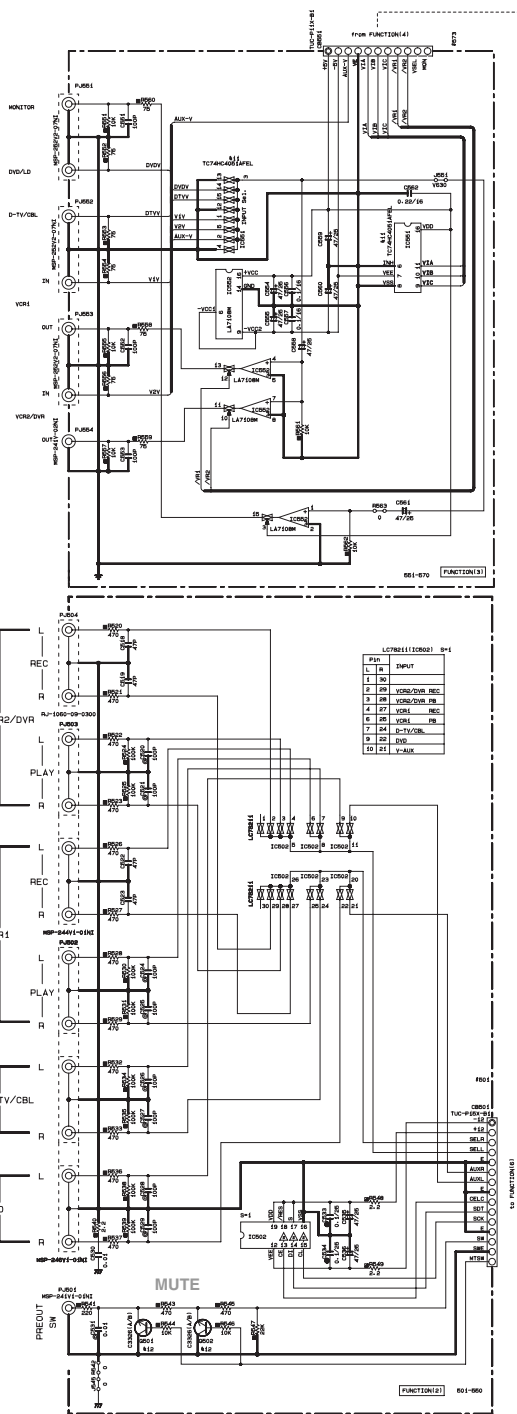
● 電圧は、内部抵抗10MΩの電圧計で測定したものです。
 ● ①印のある部品は、安全性確保部品を示しています。部品の交換が必要な場合、パーツリストに記載されている部品を使用してください。
 ● 本図は標準回路図です。改良のため予告なく変更することがございます。

www.rtv-phoenix.jp

■ SCHEMATIC DIAGRAM (FUNCTION 2/2) RX-V630/RX-V630RDS/HTR-5560/HTR-5560RDS/DSP-AX630/DSP-AX630SE

RX-V730/RX-V730RDS/RX-V630/RX-V630RDS
HTR-5560/HTR-5560RDS/DSP-AX630/DSP-AX630SE

www.itv-horvat-dj.hr



NOTICE (model)
(J)..... JAPANESE
(U)..... U.S.A
(C)..... CANADIAN
(R)..... GENERAL
(A)..... AUSTRALIAN
(B)..... BRITISH
(G)..... EUROPEAN
(F)..... CHINA
(L)..... SINGAPORE

RESISTOR

REMARKS	PARTS NAME
NO. MARK	CARBON FILM RESISTOR (P=1)
△	CARBON FILM RESISTOR (P=10)
▲	METAL OXIDE FILM RESISTOR
□	METAL FILM RESISTOR
■	METAL PLATE RESISTOR
⊖	FIRE PROOF CARBON FILM RESISTOR
⊕	CEMENT HOLED RESISTOR
⊙	SEMI VARIABLE RESISTOR
■	CHIP RESISTOR

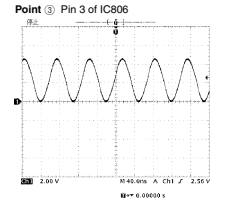
CAPACITOR

REMARKS	PARTS NAME
NO. MARK	ELECTROLYTIC CAPACITOR
⊖	TANTALUM CAPACITOR
NO. MARK	CERAMIC CAPACITOR
⊖	CERAMIC TUBULAR CAPACITOR
⊖	POLYESTER FILM CAPACITOR
⊖	POLYETHYLENE FILM CAPACITOR
⊖	MICA CAPACITOR
⊖	POLYPROPYLENE FILM CAPACITOR
⊖	SEMICONDUCTIVE CERAMIC CAPACITOR

Interchangeable Parts at Manufacture Stage

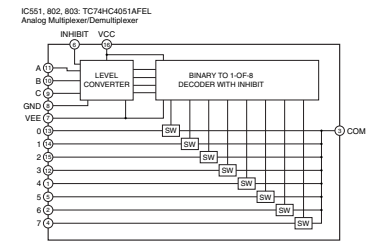
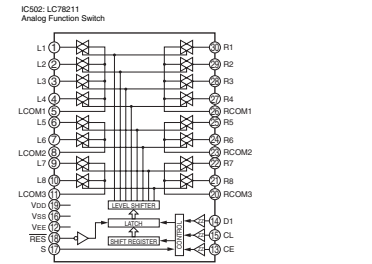
Part No.	Reference Part No.	Part Name
411	IC501, 802, 803	TC74HC4051AFEL MULTIPLEXER/DEMULTIPLEXER
412	SR01, 902	IC505/IC504/IC503 VIDEO AMPLIFIER

Part No.	QTY	U-D-E-K	B-T	B-G	A-L
401	8071	X			X
403	13071	X	X		X
404	14571	X	X	X	X
405	15071, 178	X	X		X
406	15078-178	X	X		X
407	15081	X	X		X
408	15086	X	X	X	X
409	15078-186-183	X	X	X	X
410	18076	X	X		X
411	18078-180	X	X		X
412	18077-178	X	X		X
413	18078	X	X		X
414	18071	X	X		X
415	18072	X	X		X
416	18074	X	X		X
417	15080	X	X		X
418	18082	X	X		X
419	18083	X	X		X



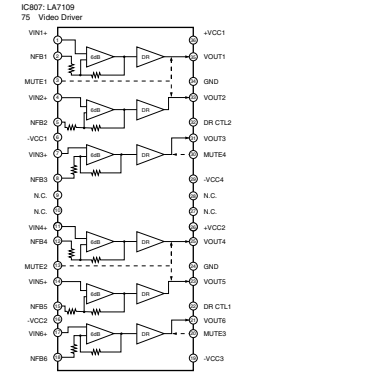
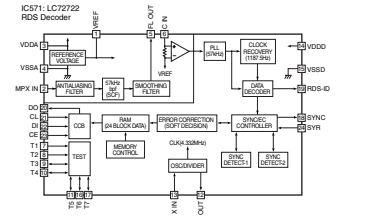
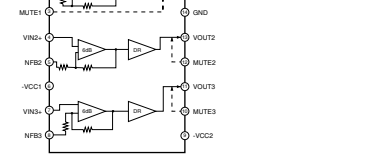
All voltages are measured with a 10M Ω V dc electric volt meter.
Components having special characteristics are marked \dagger and must be replaced with parts having specifications equal to those originally installed.
Schematic diagram is subject to change without notice.

- 電圧は、内部抵抗10M Ω の電圧計で測定したものです。
- †印のある部品は、安全性確保部品を示しています。部品の交換が必要な場合、パーツリストに記載されている部品を使用してください。
- 本回路図は標準回路図です。改良のため予告なく変更することがございます。

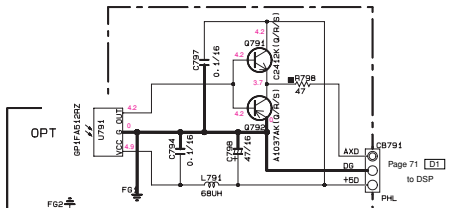


INPUT STATES

INHIBIT	C	B	A	'ON' CHANNEL
0	0	0	0	0
0	0	0	1	1
0	0	1	0	2
0	0	1	1	3
0	1	0	0	4
0	1	0	1	5
0	1	1	0	6
0	1	1	1	7
1	X	X	X	NONE



SCHEMATIC DIAGRAM (OPERATION)



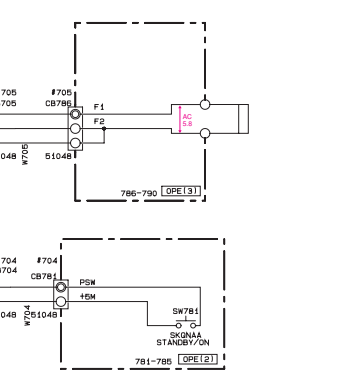
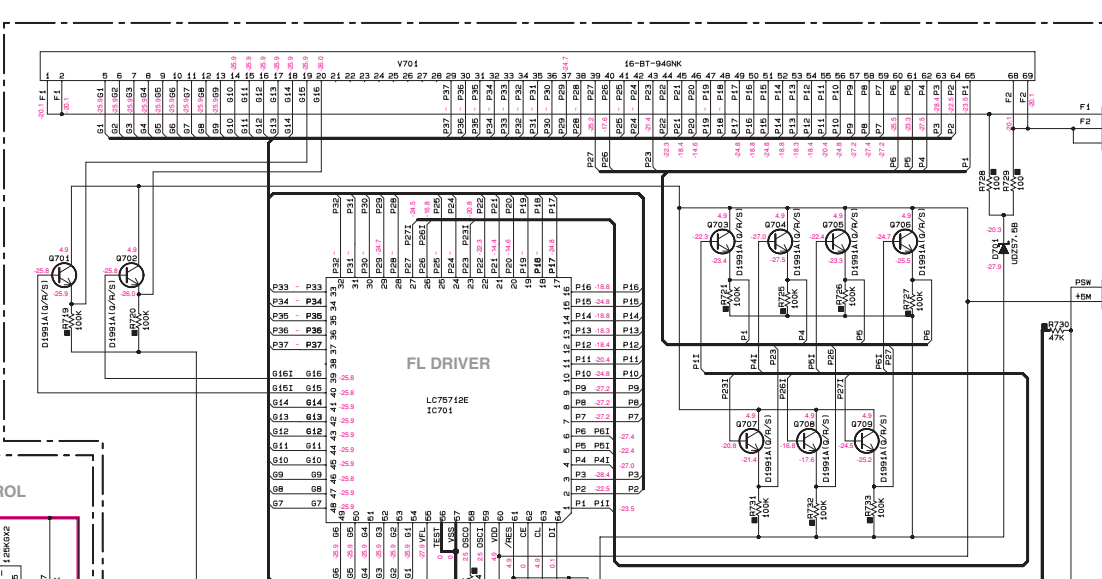
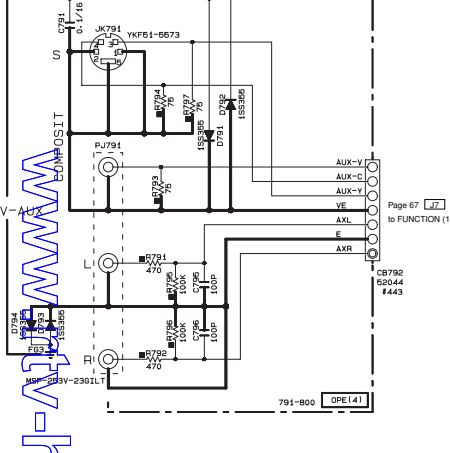
REMARKS	PARTS NAME
NO MARK	CARBON FILM RESISTOR (P=5)
□	CARBON FILM RESISTOR (P=10)
△	METAL OXIDE FILM RESISTOR
■	METAL FILM RESISTOR
▨	METAL PLATE RESISTOR
▩	FIRE PROOF CARBON FILM RESISTOR
▧	CEMENT MOLDED RESISTOR
▦	SEMI VARIABLE RESISTOR
■	CHIP RESISTOR

REMARKS	PARTS NAME
NO MARK	ELECTROLYTIC CAPACITOR
⊗	TANTALUM CAPACITOR
NO MARK	CERAMIC CAPACITOR
⊙	CERAMIC TUBULAR CAPACITOR
⊚	POLYESTER FILM CAPACITOR
⊛	POLYSTYRENE FILM CAPACITOR
⊜	MICA CAPACITOR
⊝	POLYPROPYLENE FILM CAPACITOR
⊞	SEMICONDUCTIVE CERAMIC CAPACITOR
⊟	POLYPHENYLENE SULFIDE FILM CAPACITOR

NOTICE (model)

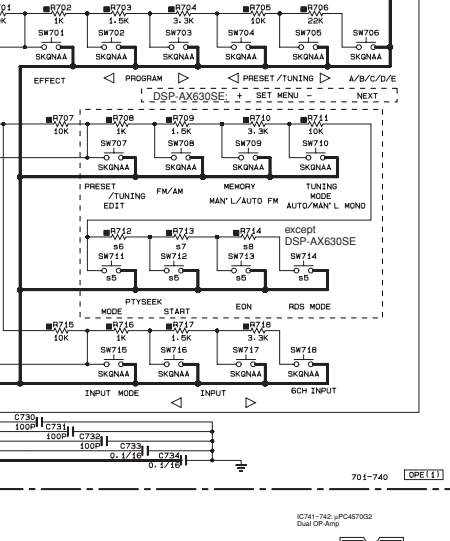
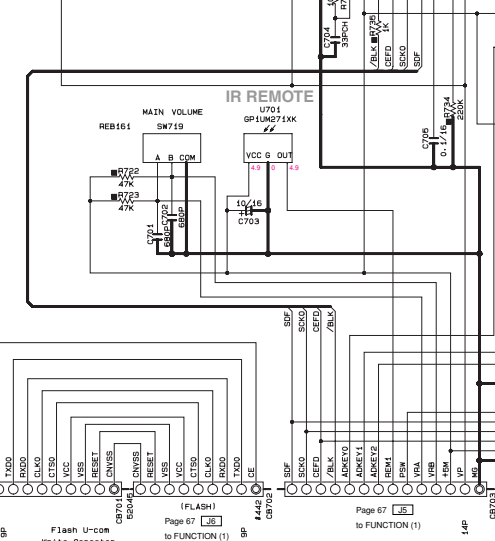
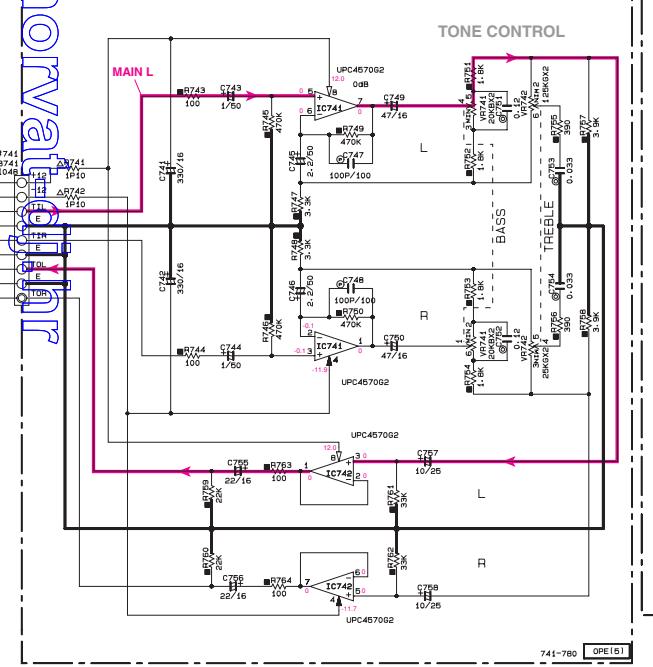
(J)..... JAPANESE
(U)..... U.S.A
(C)..... CANADIAN
(A)..... GENERAL
(R)..... AUSTRALIAN
(B)..... BRITISH
(G)..... EUROPEAN
(T)..... CHINA
(L)..... SINGAPORE

- ★ All voltages are measured with a 10M Ω /V DC electric volt meter.
 - ★ Components having special characteristics are marked ∇ , and must be replaced with parts having specifications equal to those originally installed.
 - ★ Schematic diagram is subject to change without notice.
- 電圧は、内部抵抗10M Ω の電圧計で測定したものです。
● 1印のある部品は、安全性確保部品を示しています。部品の交換が必要な場合、パーツリストに記載されている部品を使用してください。
● 実回路は標準実回路です。改良のため予告なく変更することがございます。



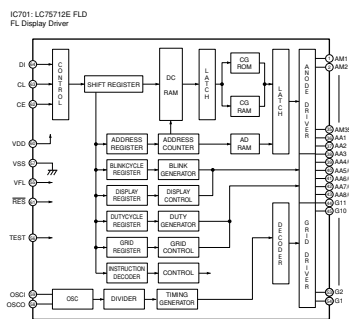
	J-U-C-R-T K-A-L	B-G
R5	SW711-714	× VV02030
R6	R712	× 22K RD30722
R7	R713	× 47K RD30747
R8	R714	× 220K RD30822
R9		

× NOT USED
○ CLOSED APPLICABLE



Interchangeable Parts at Manufacture-Stage

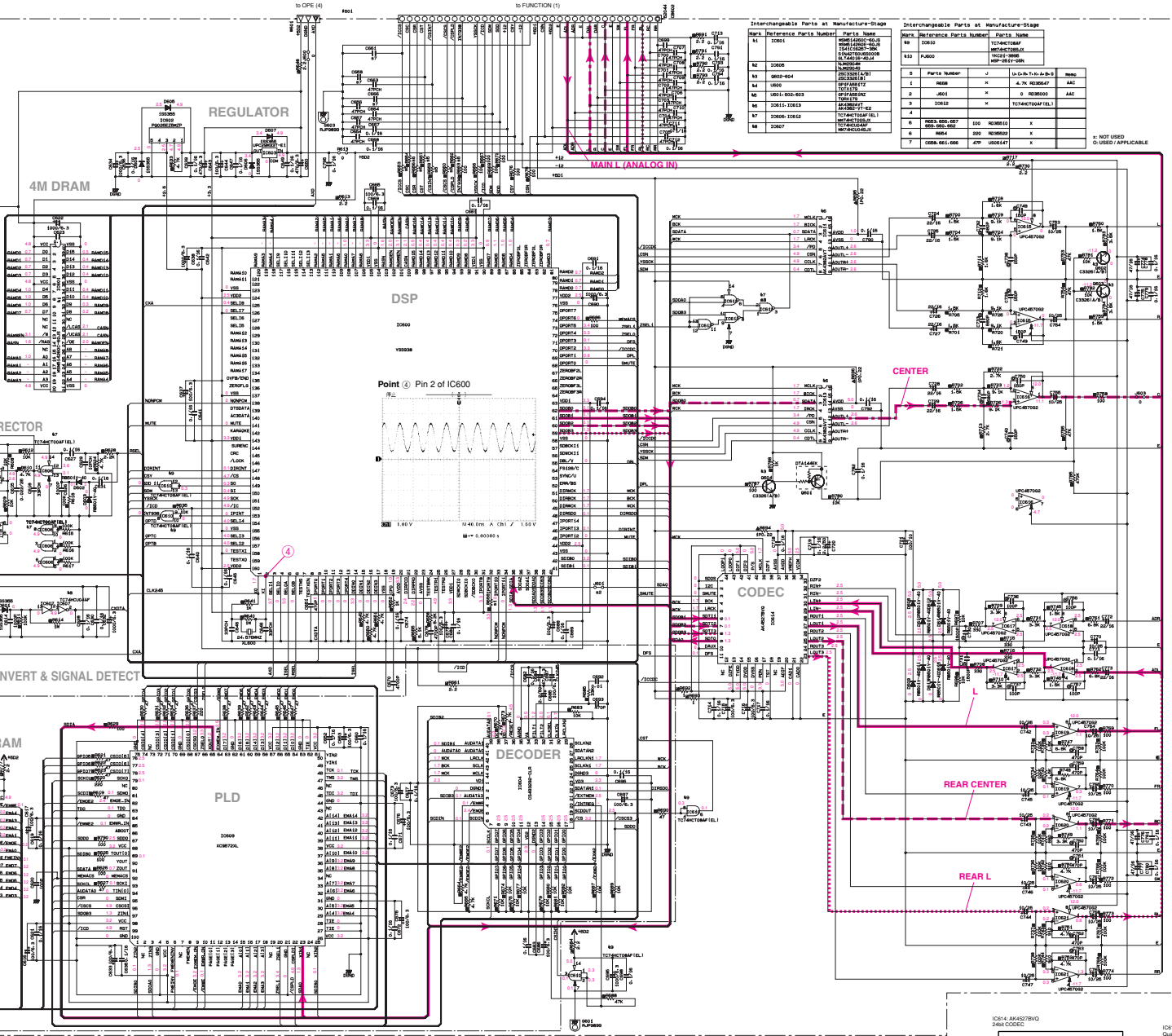
Mark	Reference Parts Number	Parts Name
k1		
k2		
k3		
k4		



■ SCHEMATIC DIAGRAM (DSP)

REMARKS	PARTS NAME
NO MARK	CARBON FILM RESISTOR (P=5)
△	CARBON FILM RESISTOR (P=10)
□	METAL OXIDE FILM RESISTOR
◇	METAL FILM RESISTOR
○	METAL PLATE RESISTOR
◇	FILM PROOF CARBON FILM RESISTOR
◇	CEMENT HOLED RESISTOR
◇	TRIM VARIABLE RESISTOR
◇	CHIP RESISTOR

REMARKS	PARTS NAME
NO MARK	ELECTROLYTIC CAPACITOR
□	TANTALUM CAPACITOR
◇	CERAMIC TUBULAR CAPACITOR
◇	POLYESTER FILM CAPACITOR
◇	POLYSTYRENE FILM CAPACITOR
◇	MICA CAPACITOR
◇	POLYPROPYLENE FILM CAPACITOR
◇	SEMICONDUCTING CERAMIC CAPACITOR
◇	POLYPHENYLENE SULFIDE FILM CAPACITOR



REGULATOR

DSP

Point (a) Pin 2 of IC600

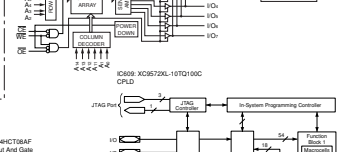
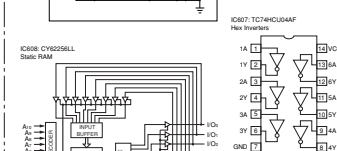
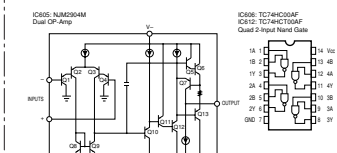
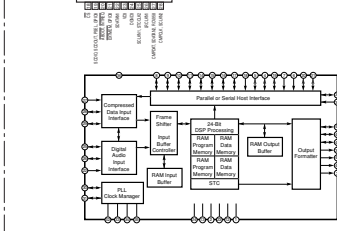
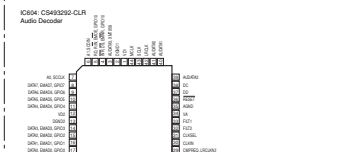
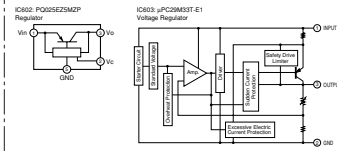
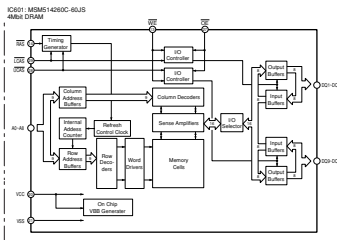
PLD

DECODER

CODEC

www.rtv-horvat-dj.hr

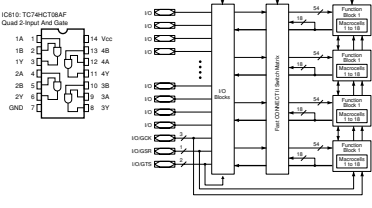
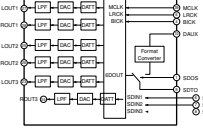
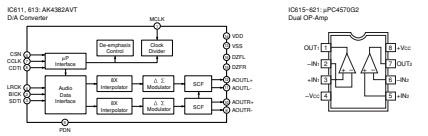
RX-V730/RX-V730RDS/RX-V630/RX-V630RDS
 HTR-5560/HTR-5560RDS/DSP-AX630/DSP-AX630SE



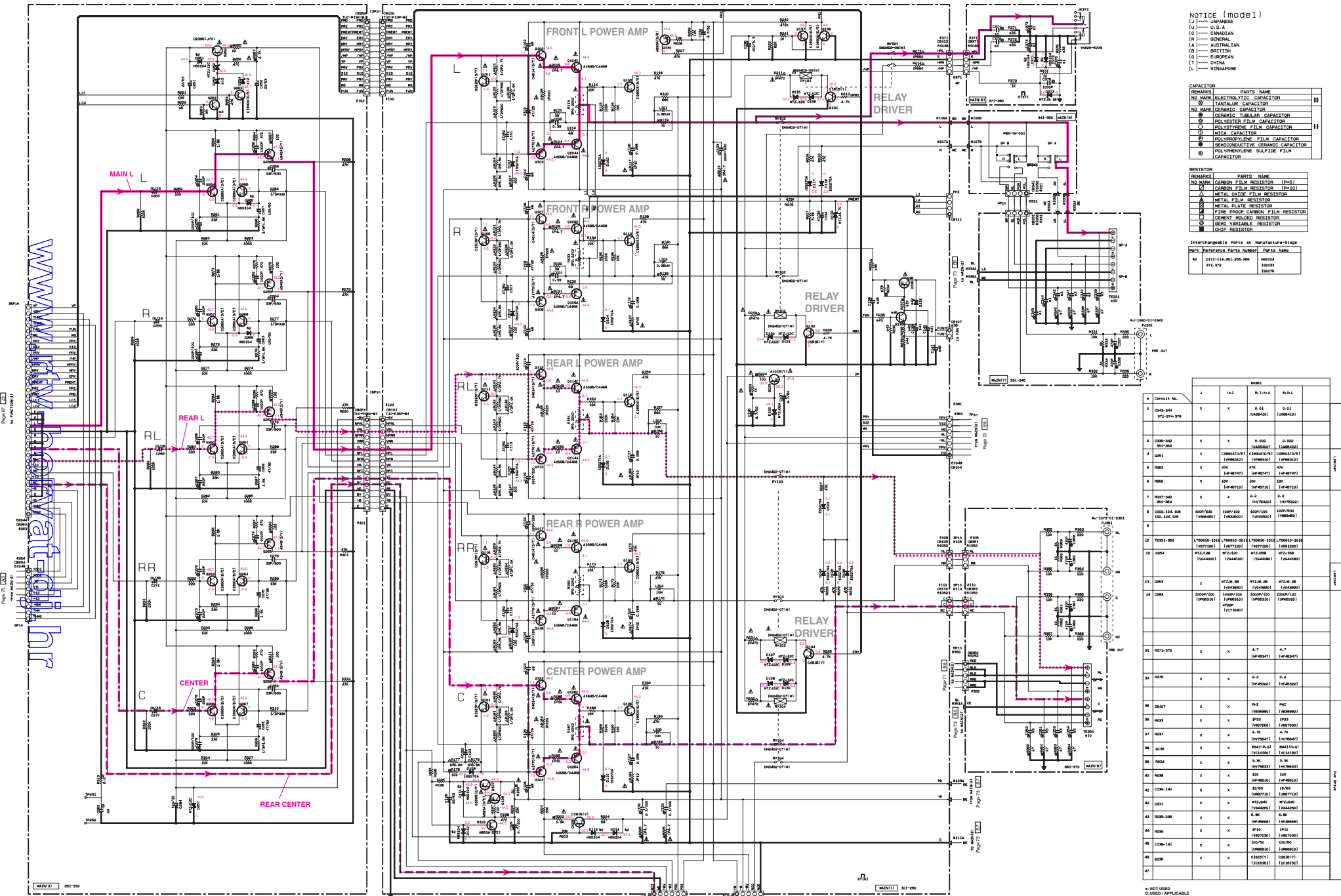
NOTICE (model)
 (J) JAPAN
 (U) U.S.A.
 (C) CANADIAN
 (R) GENERAL
 (A) AUSTRALIAN
 (B) BRITISH
 (E) EUROPEAN
 (T) CHINA
 (L) SINGAPORE

* All voltages are measured with a 10MΩ/V DC electric volt meter.
 * Components having special characteristics are marked † and must be replaced with parts having specifications equal to those originally installed.
 * Schematic diagram is subject to change without notice.

● 電圧は、内部抵抗10MΩの電圧計で測定したものです。
 ● †印のある部品は、安全性確保部品を示しています。部品の交換が必要な場合、パーツリストに記載されている部品を使用してください。
 ● 本回路図は標準回路図です。改良のため予告なく変更することがございます。



■ SCHEMATIC DIAGRAM (MAIN 1/2)



NOTICE (model)
 (J)..... JAPANESE
 (U)..... U.S.A.
 (A)..... AUSTRALIAN
 (C)..... CANADIAN
 (R)..... GENERAL
 (M)..... MEXICAN
 (B)..... BRITISH
 (E)..... EUROPEAN
 (T)..... CHINA
 (L)..... SINGAPORE

REMARKS	PARTS NAME
NO MARK	ELECTRIC CAPACITOR
◎	TANTALUM CAPACITOR
NO MARK	CERAMIC CAPACITOR
◎	CERAMIC TUBULAR CAPACITOR
◎	NON-VOLATILE FILM CAPACITOR
◎	POLYESTER FILM CAPACITOR
◎	POLYPROPYLENE FILM CAPACITOR
◎	SEMICONDUCTIVE CERAMIC CAPACITOR
◎	POLYBENZENE SULFONE FILM CAPACITOR

REMARKS	PARTS NAME
NO MARK	CARBON FILM RESISTOR (DIN)
◎	CARBON FILM RESISTOR (EIA)
△	METAL FILM RESISTOR
△	METAL PLATE RESISTOR
◎	FINE PITCH CARBON FILM RESISTOR
◎	CEMENT MOUNTED RESISTOR
◎	HEAT VARIABLE RESISTOR
■	CHIP RESISTOR

Interchangeable Parts at Manufacture-Stage
 Part Reference Part Number Part Name

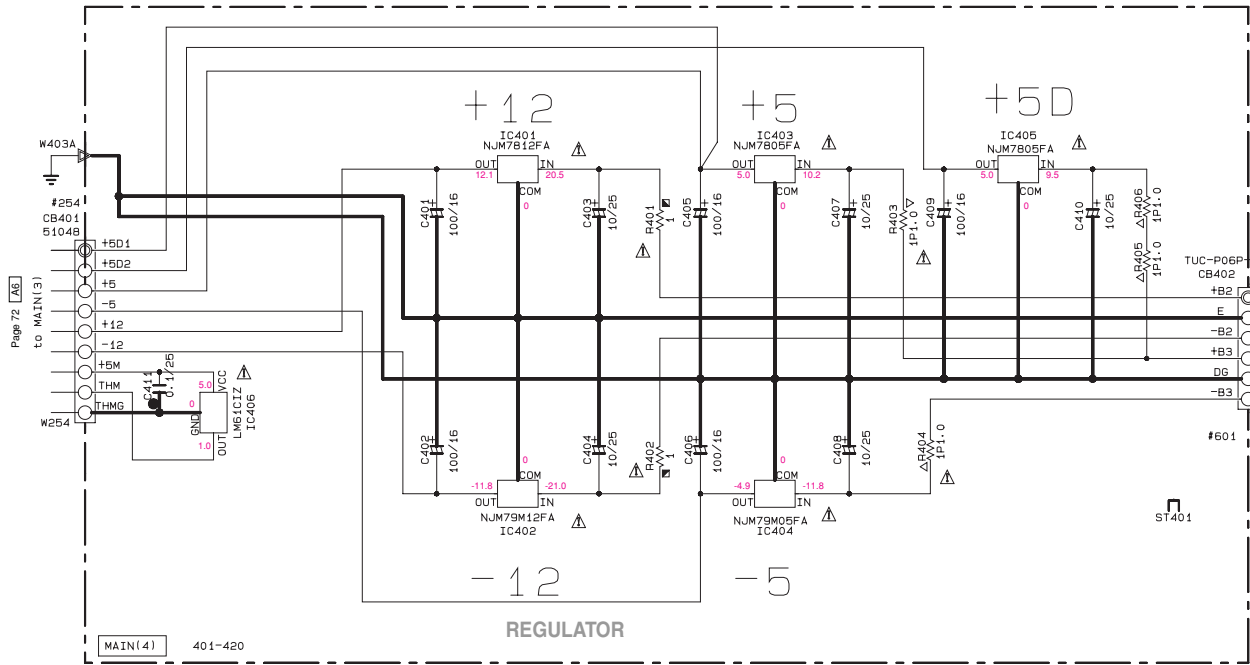
#	CHASSIS No.	J	U-C	R-T-X-A	B-D-L
1	C500-344 371-374-376	X	X	0-01 (TUM8401)	0-01 (TUM8401)
2	C500-340 361-364	X	X	0-000 (TUM8401)	0-000 (TUM8401)
3	Q001	X	X	100000000 (TUM8401)	100000000 (TUM8401)
4	R003	X	47K	47K (TUM8401)	47K (TUM8401)
5	R002	X	10K	10K (TUM8401)	10K (TUM8401)
6	R001	X	10K	10K (TUM8401)	10K (TUM8401)
7	R007-001 R01-004	X	X	100000000 (TUM8401)	100000000 (TUM8401)
8	C100-104-100 100-104-100	X	X	100000000 (TUM8401)	100000000 (TUM8401)
9	T0031-001	X	X	100000000 (TUM8401)	100000000 (TUM8401)
10	S004	X	X	100000000 (TUM8401)	100000000 (TUM8401)
11	C003	X	X	100000000 (TUM8401)	100000000 (TUM8401)
12	C004	X	X	100000000 (TUM8401)	100000000 (TUM8401)
13	R016-010	X	X	4-7 (TUM8401)	4-7 (TUM8401)
14	R017	X	X	0-0 (TUM8401)	0-0 (TUM8401)
15	C0107	X	X	100000000 (TUM8401)	100000000 (TUM8401)
16	R023	X	X	100000000 (TUM8401)	100000000 (TUM8401)
17	R027	X	X	100000000 (TUM8401)	100000000 (TUM8401)
18	G100	X	X	100000000 (TUM8401)	100000000 (TUM8401)
19	R024	X	X	100000000 (TUM8401)	100000000 (TUM8401)
20	R028	X	X	100000000 (TUM8401)	100000000 (TUM8401)
21	C100-140	X	X	100000000 (TUM8401)	100000000 (TUM8401)
22	S001	X	X	100000000 (TUM8401)	100000000 (TUM8401)
23	R020-000	X	X	100000000 (TUM8401)	100000000 (TUM8401)
24	R020-141	X	X	100000000 (TUM8401)	100000000 (TUM8401)
25	G100	X	X	100000000 (TUM8401)	100000000 (TUM8401)

* All voltages are measured with a 10MΩ/V DC electric volt meter.
 * Components having special characteristics are marked 1 and must be replaced with parts having specifications equal to those originally installed.
 * Schematic diagram is subject to change without notice.

● 電圧は、内部抵抗10MΩの電圧計で測定したものです。
 ● 1印のある部品は、安全性確保部品を示しています。部品の交換が必要な場合、パーツリストに記載されている部品を使用してください。
 ● 本回路図は標準回路図です。改良のための予告なく変更することがございます。

■ SCHEMATIC DIAGRAM (MAIN 2/2)

RX-V730/RX-V730RDS/RX-V630/RX-V630RDS
HTR-5560/HTR-5560RDS/DSP-AX630/DSP-AX630SE



RESISTOR

REMARKS	PARTS NAME
NO MARK	CARBON FILM RESISTOR (P=5)
□	CARBON FILM RESISTOR (P=10)
△	METAL OXIDE FILM RESISTOR
▲	METAL FILM RESISTOR
⊠	METAL PLATE RESISTOR
▨	FIRE PROOF CARBON FILM RESISTOR
□	CEMENT MOLDED RESISTOR
⊙	SEMI VARIABLE RESISTOR
■	CHIP RESISTOR

CAPACITOR

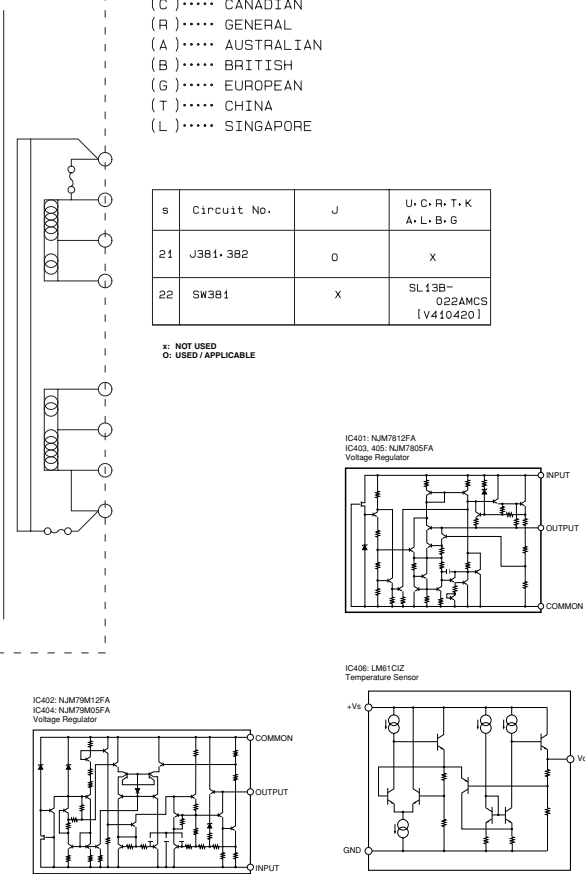
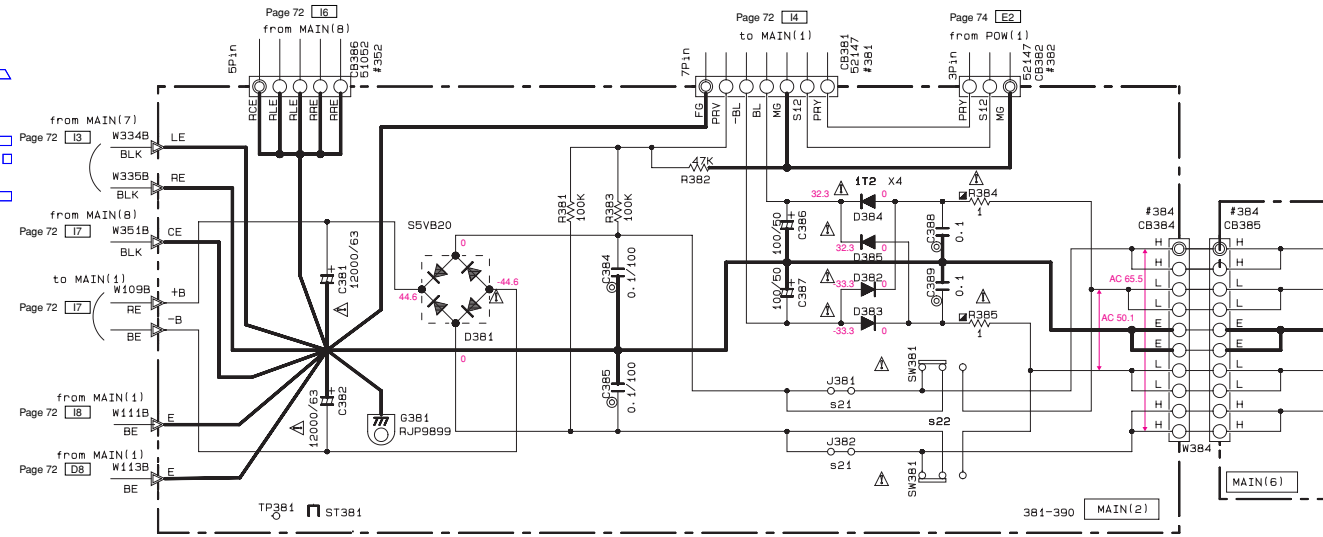
REMARKS	PARTS NAME
NO MARK	ELECTROLYTIC CAPACITOR
⊗	TANTALUM CAPACITOR
NO MARK	CERAMIC CAPACITOR
●	CERAMIC TUBULAR CAPACITOR
⊙	POLYESTER FILM CAPACITOR
○	POLYSTYRENE FILM CAPACITOR
⊖	MICA CAPACITOR
⊕	POLYPROPYLENE FILM CAPACITOR
⊗	SEMICONDUCTIVE CERAMIC CAPACITOR

NOTICE (model)

- (J)..... JAPANESE
- (U)..... U. S. A
- (C)..... CANADIAN
- (R)..... GENERAL
- (A)..... AUSTRALIAN
- (B)..... BRITISH
- (G)..... EUROPEAN
- (T)..... CHINA
- (L)..... SINGAPORE

s	Circuit No.	J	U, C, R, T, K
21	J381-382	0	X
22	SW381	X	SL13B-022AMCS [V410420]

X: NOT USED
0: USED / APPLICABLE

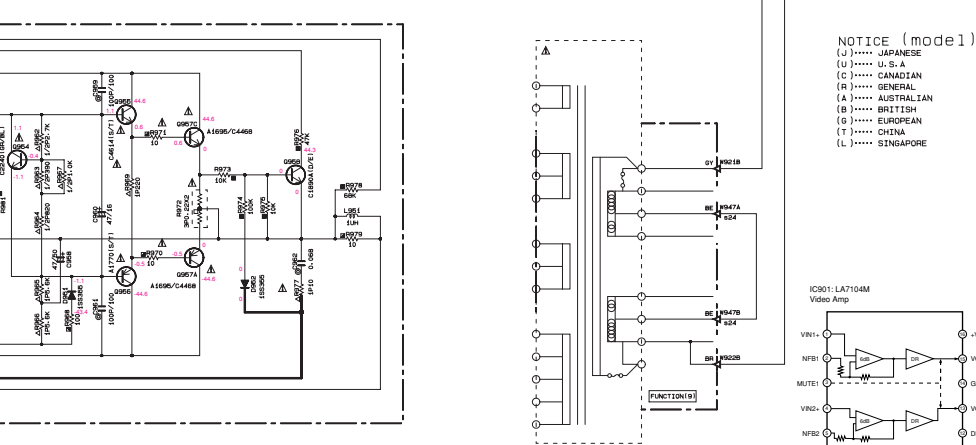
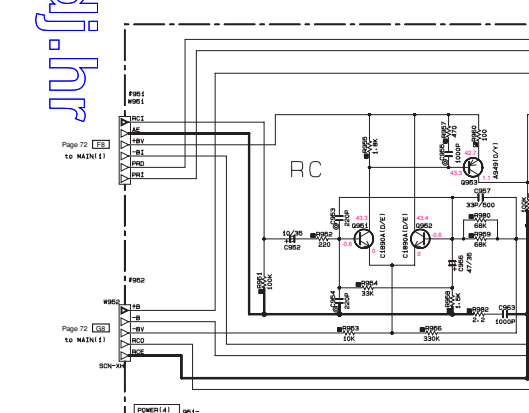
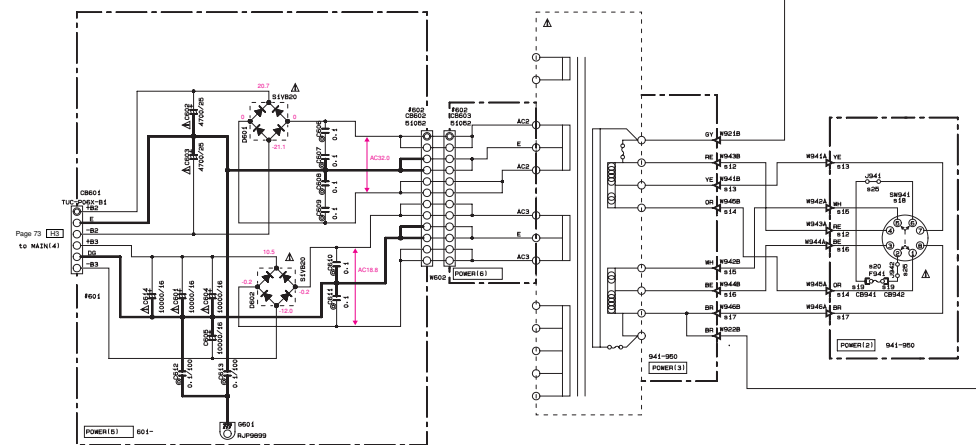
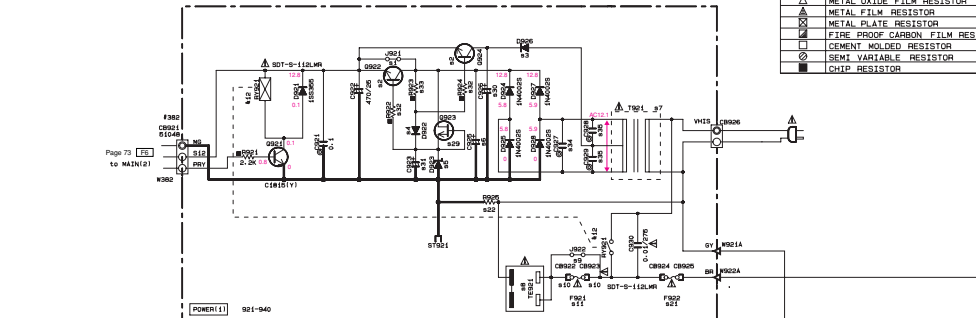
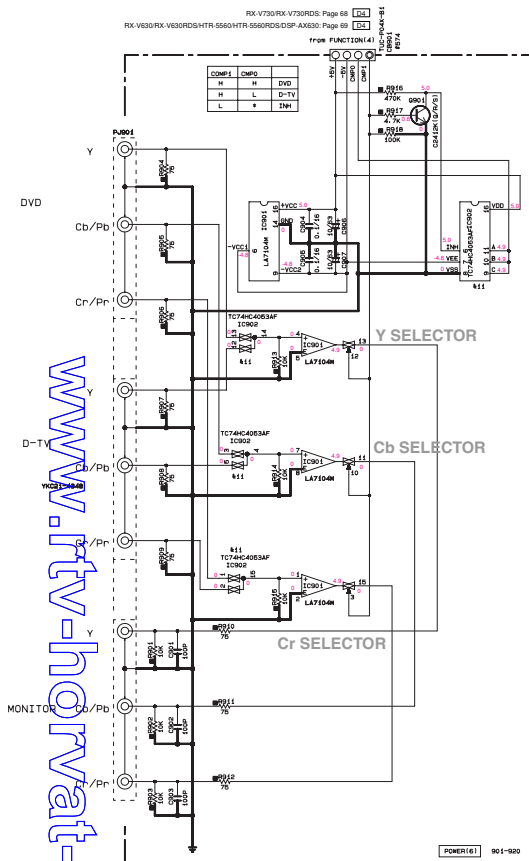


★ All voltages are measured with a 10M Ω /V DC electric volt meter.
★ Components having special characteristics are marked Δ and must be replaced with parts having specifications equal to those originally installed.
★ Schematic diagram is subject to change without notice.

● 電圧は、内部抵抗10M Ω の電圧計で測定したものです。
● Δ 印のある部品は、安全性確保部品を示しています。部品の交換が必要な場合、パーツリストに記載されている部品を使用してください。
● 本回路図は標準回路図です。改良のため予告なく変更することがございます。

www.rtv-horvat-dj.hr

SCHEMATIC DIAGRAM (POWER)



REMARKS	PARTS NAME
NO MARK	CARBON FILM RESISTOR (P=5)
□	CARBON FILM RESISTOR (P=10)
△	METAL OXIDE FILM RESISTOR
▲	METAL FILM RESISTOR
⊗	METAL PLATE RESISTOR
⊕	FIRE PROOF CARBON FILM RESISTOR
⊖	CEMENT MOLDED RESISTOR
⊙	SEMI-VARIABLE RESISTOR
■	CHIP RESISTOR

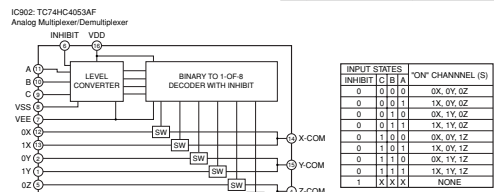
NO	QTY	U.C.	R.T	K	A	B	Q.L
91	1021	0	0	X	0	0	0
92	0902-904	X	X	X	X	X	X
93	0906	X	X	X	X	X	X
94	0902	X	X	X	X	X	X
95	0903	X	X	X	X	X	X
96	C905	X	X	X	X	X	X
97	T921	X	X	X	X	X	X
98	T921	X	X	X	X	X	X
99	Y922	0	0	0	X	0	0
100	C9222-923	X	X	X	X	X	X
101	Y921	X	X	X	X	X	X
102	Y943	X	X	X	X	X	X
103	Y941	X	X	X	X	X	X
104	Y945	X	X	X	X	X	X
105	Y942	X	X	X	X	X	X
106	Y944	X	X	X	X	X	X
107	Y946	X	X	X	X	X	X
108	Y941	X	X	X	X	X	X
109	C9941-942	X	X	X	X	X	X
110	Y941	X	X	X	X	X	X
111	Y932	X	X	X	X	X	X
112	Y930	X	X	X	X	X	X
113	Y947	X	X	X	X	X	X
114	Y941-942	X	X	0	X	X	X
115	Y926						
116	Y927						
117	Y928						
118	Y929	X	X	X	X	X	X
119	C926	X	X	X	X	X	X
120	Y923	X	X	X	X	X	X
121	Y923	X	X	X	X	X	X
122	Y923	X	X	X	X	X	X
123	Y923-924	X	X	X	X	X	X
124	Y923	X	X	X	X	X	X
125	Y923	X	X	X	X	X	X
126	Y923	X	X	X	X	X	X
127	Y923	X	X	X	X	X	X
128	Y923	X	X	X	X	X	X
129	Y923	X	X	X	X	X	X
130	Y923	X	X	X	X	X	X
131	Y923	X	X	X	X	X	X
132	Y923-924	X	X	X	X	X	X
133	Y923	X	X	X	X	X	X
134	Y927	0.01	UAG6410	X	0.01	UAG6410	0.01
135	Y928-929	X	X	X	X	X	X

www.itv-horvat-dj.hr

REMARKS	PARTS NAME
NO MARK	ELECTROLYTIC CAPACITOR
□	TANTALUM CAPACITOR
○	CERAMIC CAPACITOR
⊗	CERAMIC TUBULAR CAPACITOR
⊕	POLYESTER FILM CAPACITOR
⊖	POLYSTYRENE FILM CAPACITOR
⊙	MICA CAPACITOR
⊚	POLYPROPYLENE FILM CAPACITOR
⊛	SEMICONDUCTIVE CERAMIC CAPACITOR
⊜	POLYPHENYLENE SULFIDE FILM CAPACITOR

Mark	Reference Parts Number	Parts Name
911	10902	TC74HC4038AF
912	99921	M74HC0038LX
913		001801-01N11
914		AK43821

NOTICE (model)
 (J)..... JAPANESE
 (U)..... U.S.A.
 (C)..... CANADIAN
 (R)..... GENERAL
 (A)..... AUSTRALIAN
 (B)..... BRITISH
 (G)..... EUROPEAN
 (T)..... CHINA
 (L)..... SINGAPORE



* All voltages are measured with a 10MΩ/V DC electric volt meter.
 * Components having special characteristics are marked ⊕ and must be replaced with parts having specifications equal to those originally installed.
 * Schematic diagram is subject to change without notice.

● 電圧は、内部抵抗10MΩの電圧計で測定したものです。
 ● ⊕印のある部品は、安全性確保部品を示しています。部品の交換が必要な場合、パーツリストに記載されている部品を使用してください。
 ● 本回路図は標準回路図です。改良のため予告なく変更することがございます。